

Carbide Tile Cutter Wheels

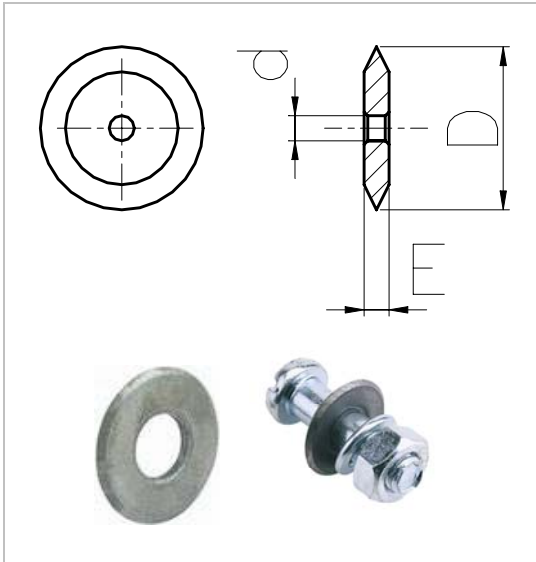
Argensinter standard



Carbide Tile Cutter Wheels

(According to Argensinter Standard)

Page. 2 of 3



Code	Ø D	E	Ø d
RA8	8	2	2
RA10	10	2	4
RA13	13	2	4
RA15	15	2	4
RA18	18	2	4
RE10	10	1	4
RE13	13	3	3
RE15	15	3.7	6
RE18	18	2	6.3

For further information, please do not hesitate to contact us or visit our web site at www.argensinter.com

Argensinter S.R.L. – Hard Metal and Special Cutting Tools
Tacuarí 925 (B1704FJM) Ramos Mejía.
Provincia de Buenos Aires, Argentina
Phone: (+54) 11 4658 7637 – Fax: (+54) 11 4656 8028
email: sales@argensinter.com - Web site: <http://www.argensinter.com>